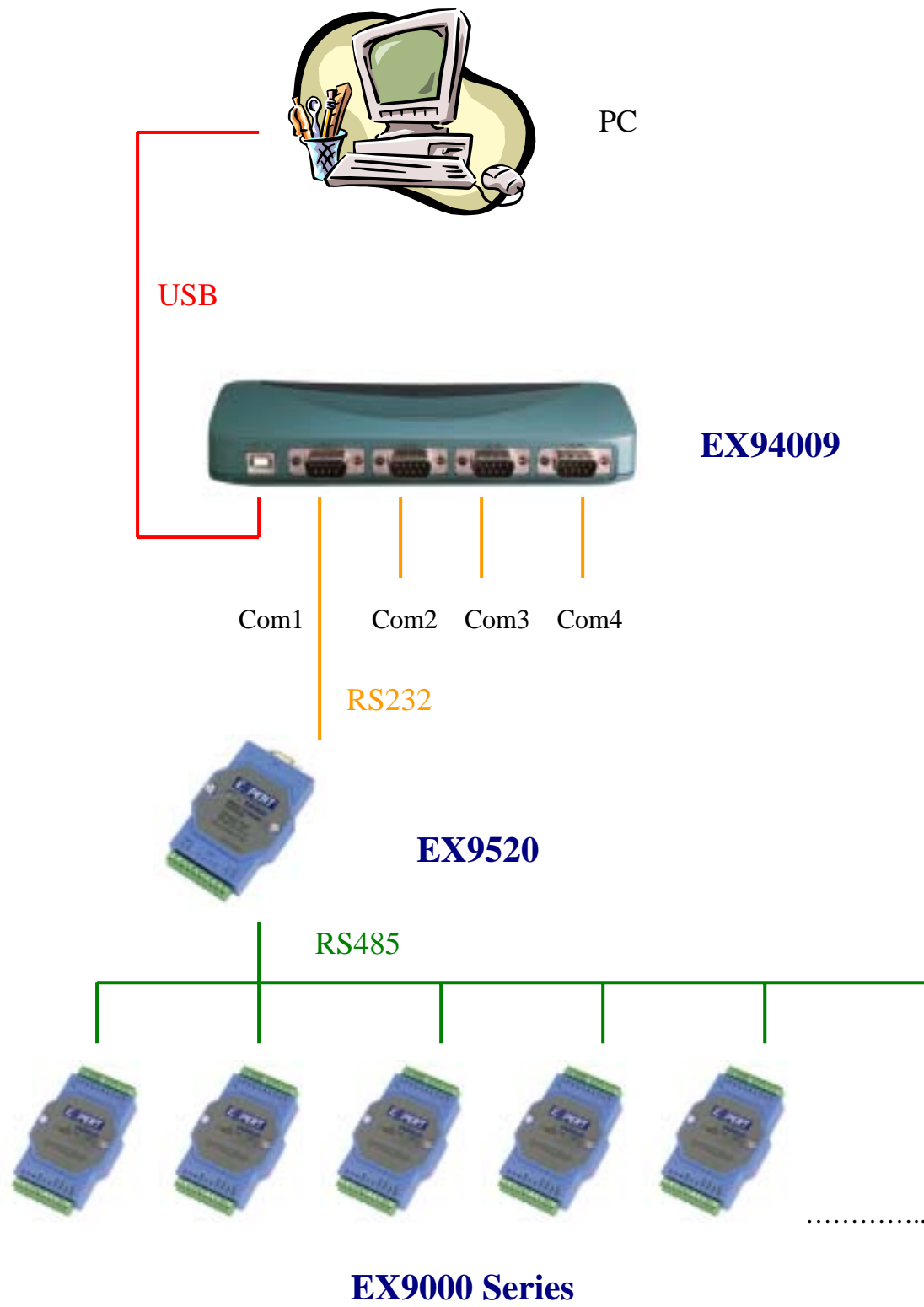


Application of USB to RS232 *2/4/8 Converter with EX94009 & EX9520 and EX9000 Series



USB ———
RS232 ———
RS485 ———