

Fanless Embedded BOX PC EX92211(Intel Apollo Lake) Win 10 IoT/ Linux

EX92211(Intel Apollo Lake)



Features

- Intel Apollo Lake SoC processor
- Fanless design
- Support DVI I/O port
- Win 10 IoT/ Linux optional
- -40 ~ 75 °C (Operation Temperature)

Specification

MAINBOARD

| | |
|-----|---|
| CPU | Intel Apollo Lake SoC processor: -Intel® Atom™ x7-E3950 (Quad Core, 2M Cache, up to 2.0 GHz) -Intel® Atom™ x5-E3940 (Quad Core, 2M Cache, up to 1.8 GHz) -Intel® Atom™ x5-E3930 (Dual Core, 2M Cache, up to 1.8 GHz) |
|-----|---|

System Memory SO-DIMM DDR3L up to 1866MHz x 1, Max. 8GB

Graphic Intel® HD Graphics 500 / Intel® HD Graphics 505

Cooling Solution Fanless

BIOS AMI uEFI BIOS

O.S. Support - Windows 10 IoT Enterprise (Entry / Value / High End)
- Linux kernel 3.0+ & associated distributions

STORAGE DEVICE

mSATA SSD mSATA SSD from miniPCI socket x 1

HDD/SSD 2.5" HDD or 2.5" SSD x 1 (SATA 3.0)

ENVIRONMENTAL

Operating Temperature -40 ~ 75°C

Storage Temperature -40 ~ 85°C

Humidity 95% @ 40°C (non condensing)

Shock Protection SSD: 20G, half sine, 11ms

Vibration Protection Vibration protection w/ SSD condition:
- Random: 0.5Grms @ 5-500 Hz
- Sinusoidal: 0.5Grms @ 5-500 Hz

FRONT I/O PORTS

| | |
|--------------|--|
| COM1 | DB9 for RS232 x 1 |
| COM2 | DB9 for RS485 x 1 |
| DVI | DVI-I display output x1 |
| Audio | MIC-in x 1, Line-out x1 |
| LEDs | Power status x 1, Storage x 1, 3G / 3.5G x 1 |
| Power Button | Power on/off switch x 1 |

OTHERS

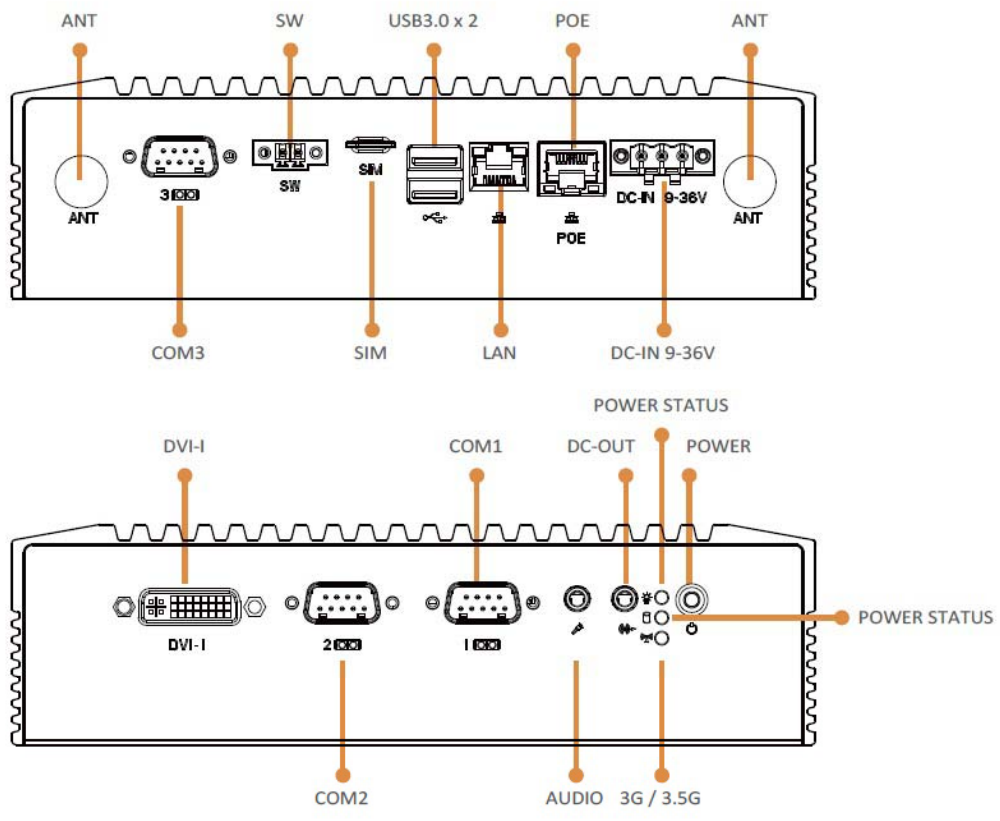
| | |
|---------------|---|
| Expansion | Mini PCIe x 1 for optional Wi-Fi or 3G/4G LTE |
| Antenna Hole | Antenna Hole x 2 |
| Color | Black |
| Material | Metal |
| Certification | CE / FCC |
| Dimension | 20 cm x 5.5 cm x 10.5 cm (W x D x H) |
| Weight | 1.9 kg |

REAR I/O PORTS

| | |
|---------------------|---|
| LAN | Gigabit Ethernet by RJ-45 x 1, support Wake on LAN |
| USB | USB3.0 x 2 |
| POE LAN | RJ-45 x 1 (Built-in POE function, support IEEE 802.3at-2003, 25.5W) |
| COM 3 | DB9 for RS232 / 422 / 485 x 1 |
| SIM | SIM Card Holder x 1 |
| Remote Power Switch | Remote power on/off switch x 1 |
| DC Input | 3-pin DC input x 1, support +9 to 36VDC input |
| ANT | 2 x antenna holes for optional Wi-Fi / 3G / 4G LTE antenna |

Fanless Embedded BOX PC
EX92211(Intel Apollo Lake)
 Win 10 IoT/ Linux

I/O Interface



Dimensions (cm / inch)

