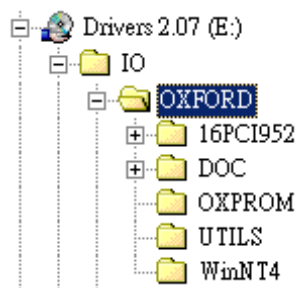


Install 4S (or 8S) octopus cable

7. Put the chassis cover back on the computer.
8. Turn ON the power of your computer and peripherals.
9. Proceed with Software Driver Installation.

#### 4. Software Driver Installation

The Multi-port serial card is plug-and-play so the driver installation is quite straightforward. Please "Browse" to the correct path on the Driver CD when Windows asking for the driver's location.



#### Note:

To install the Windows NT driver, please run (double click) the following installing program:

- Run **Install\_Serial.exe** in \IO\OXFORD\winNT4 folder for Serial Ports
- Run **Install\_Parallel.exe** in \IO\OXFORD\winNT4 for Parallel Port

## PCI Multi-port Serial Card Installation Guide

### 1. Introduction

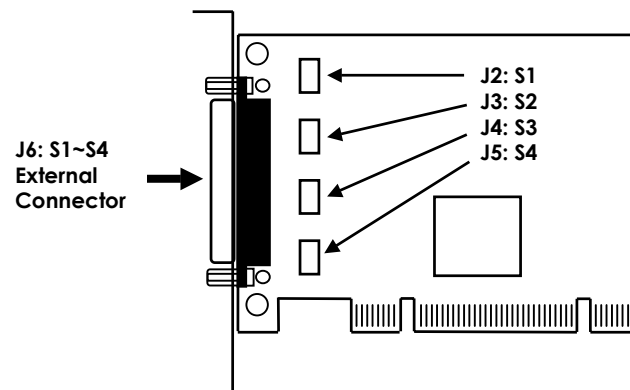
Congratulation on your purchasing this high performance PCI multi-port serial I/O adapter. The adapter is high speed PCI bus based and plug-and-play compliant. Its serial ports are fully 16C950 (and 16C550 backward) UART compatible with most of the RS-232C devices available from the market.

#### Features:

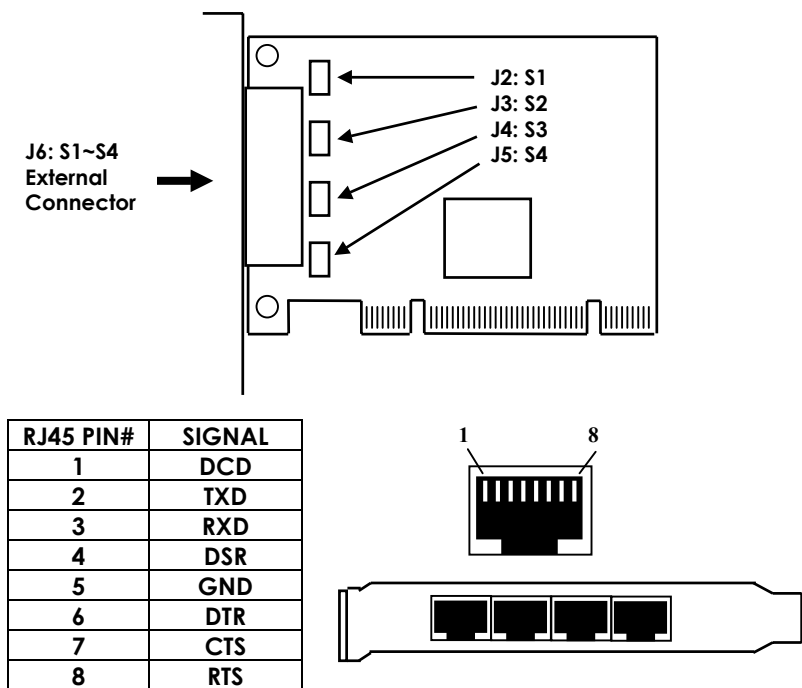
- ✓ Fully PCI Bus Specifications 2.2 compliant
- ✓ Models: 4S (with DB37 connector), 4S (with 4-port RJ-45 connector) and 8S (with DB62 connector)
- ✓ 128-byte FIFO 16C950 UARTs, Backward Compatible with 16C550
- ✓ Automated in-band flow control using programmable Xon/Xoff in both directions
- ✓ Supports Win98/Me, NT, Windows 2000 and XP

### 2. Layout

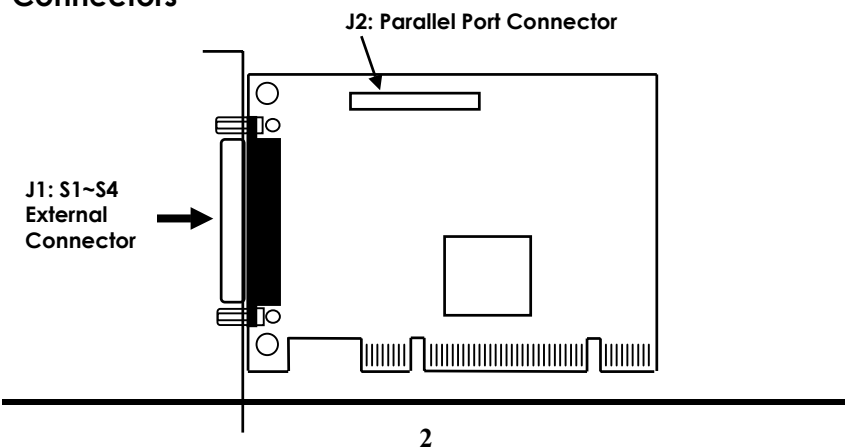
Figure 2-1 4S with DB37 Connector



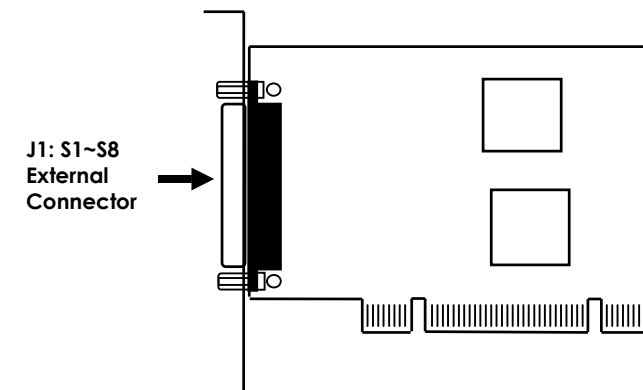
**Figure 2-2 4S with 4-port RJ-45 Connector**



**Figure 2-3. 4S with DB37 + Optional Parallel Port Connectors**



**Figure 2-4. 8S with DB62 Connector**



**3. Installing the Multi-port Serial Card**

1. Turn the system power OFF before installation!
2. Use static electricity discharge precautions.
3. Remove the chassis cover from your computer
4. Locate an unused PCI slot (typically white or ivory) and remove the corresponding slot cover from computer chassis.
5. Plug the PCI multi-port serial card to the unused PCI expansion slot and attached the I/O card bracket to the computer chassis screw.
6. Installing the serial and parallel port cables
  - For 4S with DB37 connector model, please connect the DB37-to-DB9x4 cable to its J1 external connector.
  - For 8S with DB62 connector model, please connect the DB37-to-DB9x4 cable to its J1 external connector.